



Project:
Item Number:
Quantity:

FROZEN BEVERAGE / GRANITA COUNTERTOP DISPENSER



VCBA118



VCBA128



VCBA168



VCBF118



VCBF128



VCBF168

DESCRIPTION

The Vollrath Frozen Beverage / Granita Countertop Dispenser with 6-liter or 10-liter bowls, and in one to three bowl configurations, are ideal for operators that want multi-beverage and capacity options in an easy-to-use and easy-to-maintain machine. These machines are designed to chill, freeze and serve cold and frozen beverages including slushes, milk-based, smoothies, granitas and frozen cocktails. Alcohol can be directly added to the bowl.

White Glove Service provides assistance 24 hours a day, seven days a week.

WARRANTY

All models come with one year parts and labor, two years on warranty parts, three years on the electrical board and five years on the compressor. For full warranty details, please refer to www.Vollrath.com.

CLEARANCE AND ENVIRONMENT REQUIREMENTS

- Requires 6" (15 cm) clearance on all sides.
- Maximum ambient temp 89° F (32° C).
- Indoor use only.
- Do not use in direct sunlight.

AGENCY LISTINGS



Due to continued product improvement, please consult www.vollrath.com for current product specifications.

ITEMS

Item No.	Model No.	Description
VCBA118-37	VCBA118	One 6-Liter Bowl
VCBA128-37	VCBA128	Two 6-Liter Bowls
VCBA168-37	VCBA168	Three 6-Liter Bowls
VCBF118-37	VCBF118	One 10-Liter Bowl
VCBF118-37-AF	VCBF118	One 10-Liter Bowl, Auto-Fill Ready
VCBF128-37	VCBF128	Two 10-Liter Bowls
VCBF128-37-AF	VCBF128	Two 10-Liter Bowls, Auto-Fill Ready
VCBF168-37	VCBF168	Three 10-Liter Bowls
VCBF168-37-AF	VCBF168	Three 10-Liter Bowls, Auto-Fill Ready

ACCESSORIES AND OPTIONS

- 4177349** Electric remote fill system
- 4177370** Gas remote fill system
- BR0118** Double Wall Bowl Kit (All VCBA models)
- BR0208** Double Wall Bowl Kit (All VCBF models)
- Auto Fill Kit (AF Suffix)** Connect a remote fill system directly to the dispenser. Requires a remote fill system.

FEATURES

- Magnetic drive and brushless motor system is reliable, durable and easy to use.
- Easy-to-use controls include a granita mode with consistency.
- Each bowl is independently controlled and can be set to On/Off, granita or frozen beverage mode.
- Gasketless spigot is easy to clean and maintain.
- Bowl light can be switched On or Off.
- Optional double-wall bowls ensure virtually no condensation on the outside of unit.
- Large compressor reduces freeze-down time and promotes efficient operation.
- 6½ft. (1.9 meters) cord with plug.

Auto-Fill Models

- Connect a remote fill system directly to the dispenser. Requires a remote fill system.
- Reduces labor and ensures your products are ready to serve at peak demand.
- Allows you to preset refill level.
- Increased output with constant flow valves.

Approvals	Date



The Vollrath Company, L.L.C.
 1236 North 18th Street
 Sheboygan, WI 53081-3201 U.S.A.
 Main Tel: 800.624.2051 or 920.457.4851
 Main Fax: 800.752.5620 or 920.459.6573
 Customer Service: 800.628.0830
 Canada Customer Service: 800.695.8560

Technical Service Information



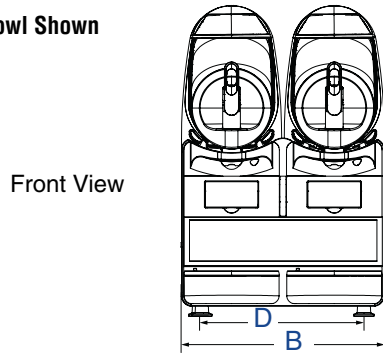
Every machine includes White Glove Service. One call does it all – customer service, technical service, parts or warranty information, installation, startup, sales, on-site service dispatch and much more. Available 24 hours a day, seven days a week year-round.

800-319-9549 (U.S. Toll Free)
 920-894-2293 (Outside the U.S.)

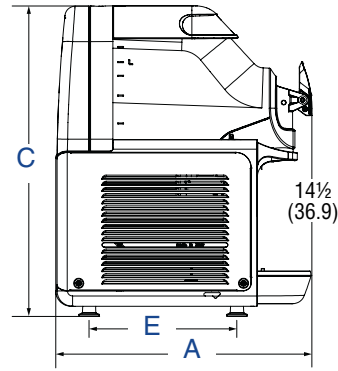
FROZEN BEVERAGE / GRANITA COUNTERTOP DISPENSER

DIMENSIONS (Shown in inches (cm))

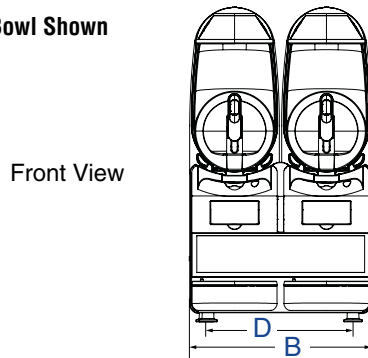
6-Liter Bowl – Two Bowl Shown



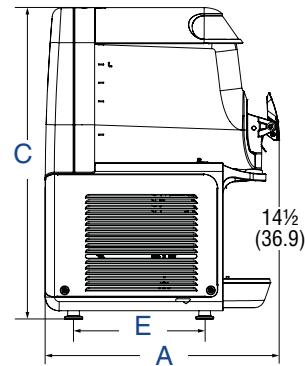
Side View



10-Liter Bowl – Two Bowl Shown



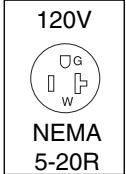
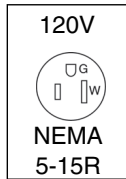
Side View



SPECIFICATIONS

Item No.	Capacity Per Bowl Gal. (L)	No. of Bowls	Dimensions IN (CM)					Comp. BTU/Hr	Refrig.	Volts	Amps	Hz	Plug	Weight LB (KG)
			(A) Depth	(B) Width	(C) Height	Foot-to-Foot								
						(D)	(E)							
VCBA118-37	1.6 (6)	1	19 1/2 (49.7)	7 3/4 (19.4)	23 3/4 (60.5)	5 (12.7)	11 5/16 (28.7)	830	120	6	60	NEMA 5-15P	58 (26.3)	
VCBA128-37		2		15 1/2 (39.4)		12 1/2 (31.8)		1900				R448A	96 (43.5)	
VCBA168-37		3		23 1/2 (59.4)		20 3/8 (51.7)		2550				NEMA 5-20P	122 (55.3)	
VCBF118-37	2.6 (10)	1	19 1/2 (49.7)	7 3/4 (19.4)	27 (68.4)	5 (12.7)	11 5/16 (28.7)	1100	120	10	60	NEMA 5-15P	61 (27.7)	
VCBF128-37		2		15 1/2 (39.4)		12 1/2 (31.8)		2550				R448A	99 (44.9)	
VCBF168-37		3		23 1/2 (59.4)		20 3/8 (51.7)		3630				NEMA 5-20P	129 (58.5)	
VCBF118-37-AF	2.6 (10)	1	19 1/2 (49.7)	7 3/4 (19.4)	27 (68.4)	5 (12.7)	11 5/16 (28.7)	1100	120	10	60	NEMA 5-15P	61 (27.7)	
VCBF128-37-AF		2		15 1/2 (39.4)		12 1/2 (31.8)		2550				R448A	99 (44.9)	
VCBF168-37-AF		3		23 1/2 (59.4)		20 3/8 (51.7)		3630				NEMA 5-20P	129 (58.5)	

Receptacles



www.vollrath.com

The Vollrath Company, L.L.C.
 1236 North 18th Street
 Sheboygan, WI 53081-3201 U.S.A.
 Main Tel: 800.624.2051 or 920.457.4851
 Main Fax: 800.752.5620 or 920.459.6573
 Customer Service: 800.628.0830
 Canada Customer Service: 800.695.8560

Technical Service Information



Every machine includes White Glove Service. One call does it all – customer service, technical service, parts or warranty information, installation, startup, sales, on-site service dispatch and much more. Available 24 hours a day, seven days a week year-round.
 800-319-9549 (U.S. Toll Free)
 920-894-2293 (Outside the U.S.)